

# **DINO<sup>®</sup> 205RXT**

Ready for Rough Road



# DINO<sup>®</sup> 205RXT

The existing broad range of aerial work platforms offered by Dino Lift has been further diversified with a self-propelled model. The entire capacity of the DINO 205RXT may be utilized even in rough ground conditions since the machine moves easily due to four-wheel drive and steering. The working height is 20.5 metres.

The articulated riser climbs up 3.3 metres vertically.

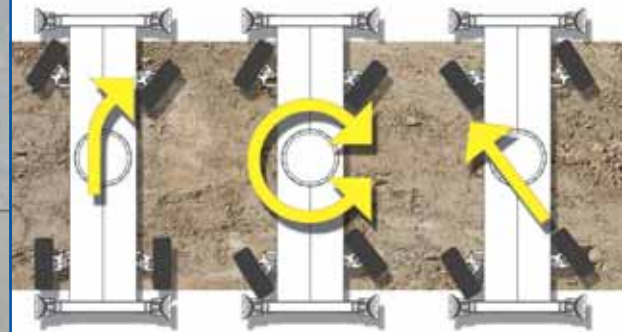
The oscillating front axle allows for difficult job sites to be reached.



Stability guarantees safe working conditions within the entire outreach area.



The easy-to-use maneuver appliances are centered in the basket.



Four wheel drive and steering with three different steering options.



Ready for Rough Road

Difficult job sites and objects are within reach on inclines with grades up to 35%.

# Technical specification on **DINO® 205RXT**

## PERFORMANCE

Working height	20.5 m	67'5"
Platform height	18.5 m	60'10"
Max. outreach (80 kg/176 lbs)	12.6 m	41'5"
Lifting capacity	215 kg	475 lbs
Boom rotation	continuous	
Basket rotation	90°	
Support length	4.4 m	14'4"
Support width	4.0 m	13'2"
Allowed ground inclination	10°	
Inner turning radius	2.15 m	7'
Outer turning radius	4.65 m	15'3"

## DIMENSIONS

Basket size	0.7 x 1.45 m	2'4" x 4'9"
Transport length	5.85 m	19'2"
Transport width	1.99 m	6'6"
Transport height	2.29 m	7'6"
Weight	4100 kg	9040 lbs

## CHASSIS

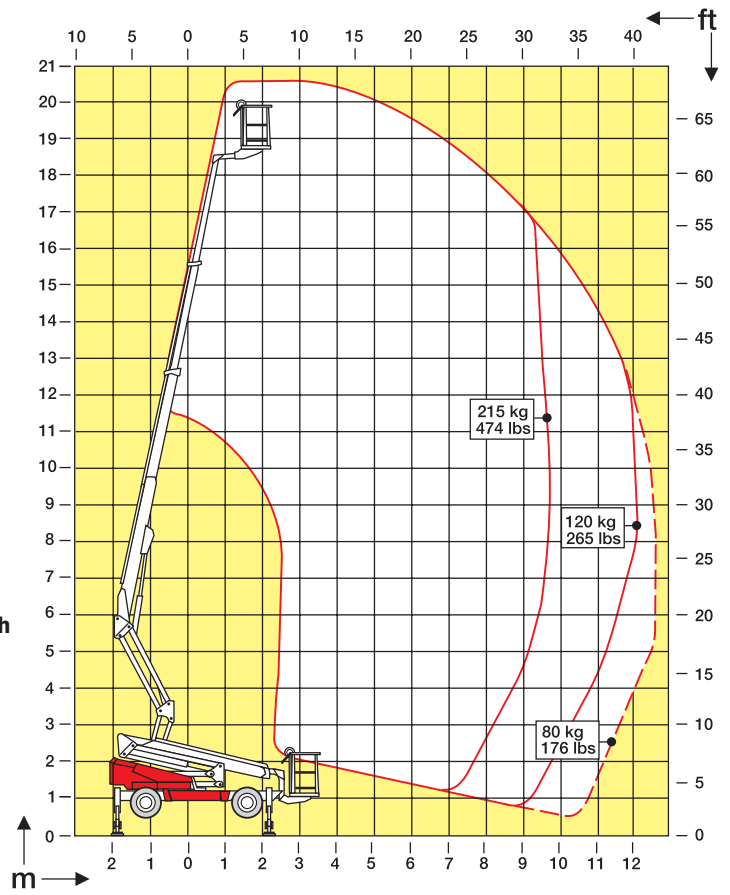
Gradeability	35%	
Driving speed (high/low)	4.7 / 1.5 km/h	2.9 / 0.9 mph
Four wheel drive	optional	
Steering	2-wheel-drive	standard
	4-wheel-drive	optional
	crab steering	optional
Tires	Pneumatic, 280/60-15.5	

## POWER SOURCE

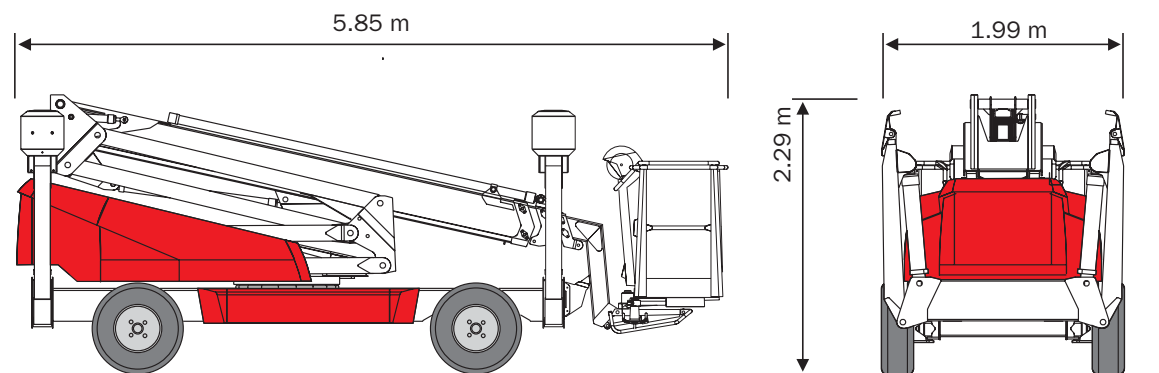
Diesel engine	Caterpillar 3003, 17.5 kW (23.5 hp) / 3600 rpm
---------------	---------------------------------------------------

## OTHER FEATURES

Boom control	proportional
Levelling of the chassis	electrical, with LED-display



The specification is subject to change without notice.



DINO® and Dino Lift® are trademarks registered by the company Dino Lift Oy

Manufacturer

# DINO Lift®

Dino Lift Oy  
Raikkolantie 145, FI-32210 LOIMAA KK  
Tel. +358 2 76 25 900, fax +358 2 76 27 160  
E-mail: dino@dinolift.com  
www.dinolift.com

Dealer